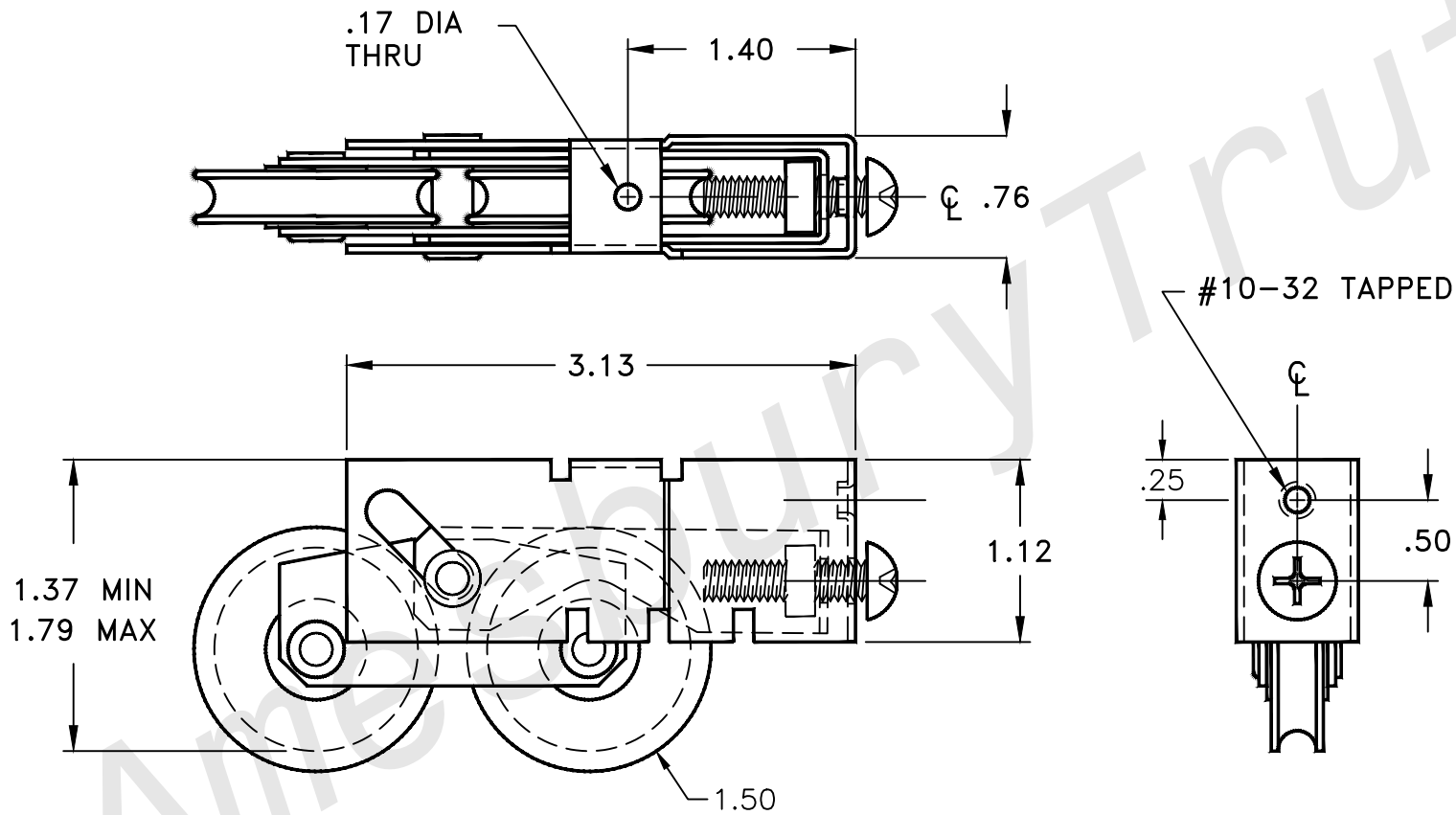




DATE	DESCRIPTION	REV	ECN #	BY
------	-------------	-----	-------	----



CUSTOMER PAGE

<p>The information contained in this drawing is confidential and proprietary. This drawing is not to be copied or reproduced in whole or in part without express written permission. The information contained in this drawing is not to be disclosed or used in the performance of services or manufacture of goods for any other party without express written permission.</p>	DRAWN:	INTERPRET PER: ASME Y14.5M-1994	DRAWING TITLE:	
	DATE: 2/22/22	UNITS: INCH	TA-36-BS-150-C2	
		THIRD ANGLE PROJECTION		
			PART #: 1936-6000-2	REV
		Engineered Solutions. Trusted Results.	SCALE:	SHEET OF